

Heat outputs in Watt (EN442)

Design Vertical Style Vertical

wys. mm	1600				1800				2000				2200			
	szer.	typ 11	typ 20	typ 21	typ 22	typ 11	typ 20	typ 21	typ 22	typ 11	typ 20	typ 21	typ 22	typ 11	typ 20	typ 21
300	588	693	842	1026	640	760	918	1107	689	824	981	1188	736	887	1053	1269
	475	564	681	828	518	618	743	893	558	670	794	957	597	722	853	1022
	302	362	432	522	329	397	472	563	355	430	505	603	380	463	534	634
400	784	924	1123	1368	853	1013	1224	1476	919	1099	1308	1584	982	1183	1404	1692
	634	752	908	1103	691	824	990	1190	745	894	1059	1277	796	962	1137	1363
	402	483	576	696	439	529	629	750	474	574	673	804	507	618	724	858
500	980	1155	1404	1710	1067	1266	1530	1845	1149	1374	1635	1980	1227	1479	1755	2115
	792	940	1135	1379	863	1030	1238	1488	931	1117	1323	1596	994	1203	1421	1704
	503	604	720	870	549	661	786	938	592	717	841	1005	634	772	905	1072
600	1175	1386	1685	2052	1280	1519	1836	2214	1379	1649	1962	2376	1472	1775	2106	2538
	951	1127	1362	1655	1036	1236	1485	1785	1117	1341	1588	1915	1193	1443	1706	2045
	603	724	864	1044	658	794	943	1125	711	861	1010	1206	761	926	1086	1286
700	1371	1617	1966	2394	1493	1772	2142	2583	1609	1924	2289	2772	1718	2071	2457	2961
	1109	1315	1589	1931	1209	1442	1733	2083	1303	1564	1853	2234	1392	1684	1990	2385
	704	845	1008	1218	768	926	1110	1313	829	1004	1178	1407	887	1081	1267	1501



- EN442 ■ 75/65/20°C
- EN442 ■ 70/55/20°C
- EN442 ■ 55/45/20°C

Discover Vertical Models

Vertical

wys. mm	1600				1800				2000				2200			
	szer.	typ 11	typ 20	typ 21	typ 22	typ 11	typ 20	typ 21	typ 22	typ 11	typ 20	typ 21	typ 22	typ 11	typ 20	typ 21
300	647	778	909	1089	714	860	999	1188	779	936	1080	1287	841	1017	1161	1386
	521	627	733	878	575	694	805	957	627	757	870	1036	678	823	935	1115
	327	396	462	553	361	439	507	602	395	480	548	651	427	524	588	700
400	863	1037	1212	1452	952	1146	1332	1584	1038	1248	1440	1716	1121	1356	1548	1848
	694	837	977	1170	766	926	1074	1276	837	1009	1160	1381	904	1098	1247	1487
	436	528	616	737	482	586	676	803	527	640	730	868	570	698	784	933
500	1079	1296	1515	1815	1190	1433	1665	1980	1298	1560	1800	2145	1401	1695	1935	2310
	868	1046	1222	1463	958	1157	1342	1595	1046	1262	1450	1727	1130	1372	1558	1859
	545	660	771	921	602	732	846	1003	658	800	913	1085	712	873	980	1166
600	1294	1555	1818	2178	1427	1719	1998	2376	1557	1872	2160	2574	1681	2034	2322	2772
	1042	1255	1466	1755	1150	1389	1611	1914	1255	1514	1740	2072	1356	1647	1870	2230
	654	792	925	1105	723	879	1015	1204	790	960	1095	1302	855	1047	1176	1400
700	1510	1814	2121	2541	1665	2006	2331	2772	1817	2184	2520	3003	1961	2373	2709	3234
	1215	1464	1711	2048	1341	1620	1879	2233	1464	1766	2030	2418	1582	1921	2182	2602
	763	924	1079	1290	843	1025	1184	1404	922	1120	1278	1519	997	1222	1372	1633

Delivery time depends on the model, please refer to your distributor



Vertical Design Vertical Style Vertical





Product: decorative vertical radiator with a centre connection and a flat front
Finishing: decorative flat front and side panels
Also supplied: wall brackets, ETA safety screws and plugs, screws and plugs, air vent, blind plugs and assembly instructions
Connections: 4 x 1/2" female and 2 x 3/4" male connections
Lugs: no lugs
Packaging: Every radiator is sturdily packaged in high-quality cardboard and wrapped in plastic. The radiator's characteristics are shown on the label: type – height – length.
Warranty: 10 years. General T&Cs of Warranty apply.
Paint process: All radiators are degreased, phosphated, cathodically primed and powder-coated in Stelrad white 9016 as standard.

Colours: colour options available upon request
Max. operating pressure: 10 bar (tested at 13 bar)
Max. operating temperature: 110 °C
Conformity Quality: in accordance with EN442
Types: 11 | 20 | 21 | 22
 Heights: 1.600 | 1.800 | 2.000 | 2.200 mm
 Lengths: 300 | 400 | 500 | 600 | 700 mm
 Depths: 49 | 79 | 79 | 102 mm

Vertical

Type 11	Type 20	Type 21	Type 22
2,157 W	2,592 W	3,030 W	3,630 W
42,90 kg	63,30 kg	71,70 kg	80,70 kg
7,20 l	14,10 l	14,10 l	14,10 l
9,40 m ²	7,33 m ²	12,66 m ²	28,99 m ²
n = 1,34	n = 1,32	n = 1,32	n = 1,33
2,379 W	2,865 W	3,330 W	3,960 W
48,30 kg	71,10 kg	80,10 kg	88,80 kg
8,40 l	16,20 l	16,50 l	16,20 l
9,86 m ²	8,25 m ²	13,58 m ²	29,90 m ²
n = 1,33	n = 1,31	n = 1,33	n = 1,33
2,595 W	3,120 W	3,600 W	4,290 W
53,70 kg	78,60 kg	89,10 kg	96,60 kg
9,30 l	18,30 l	18,60 l	18,00 l
12,15 m ²	9,17 m ²	16,20 m ²	37,74 m ²
n = 1,33	n = 1,31	n = 1,33	n = 1,33
2,802 W	3,390 W	3,870 W	4,620 W
57,90 kg	87,60 kg	98,40 kg	108,90 kg
10,20 l	20,10 l	20,10 l	20,10 l
12,61 m ²	10,09 m ²	17,11 m ²	36,66 m ²
n = 1,32	n = 1,30	n = 1,33	n = 1,34

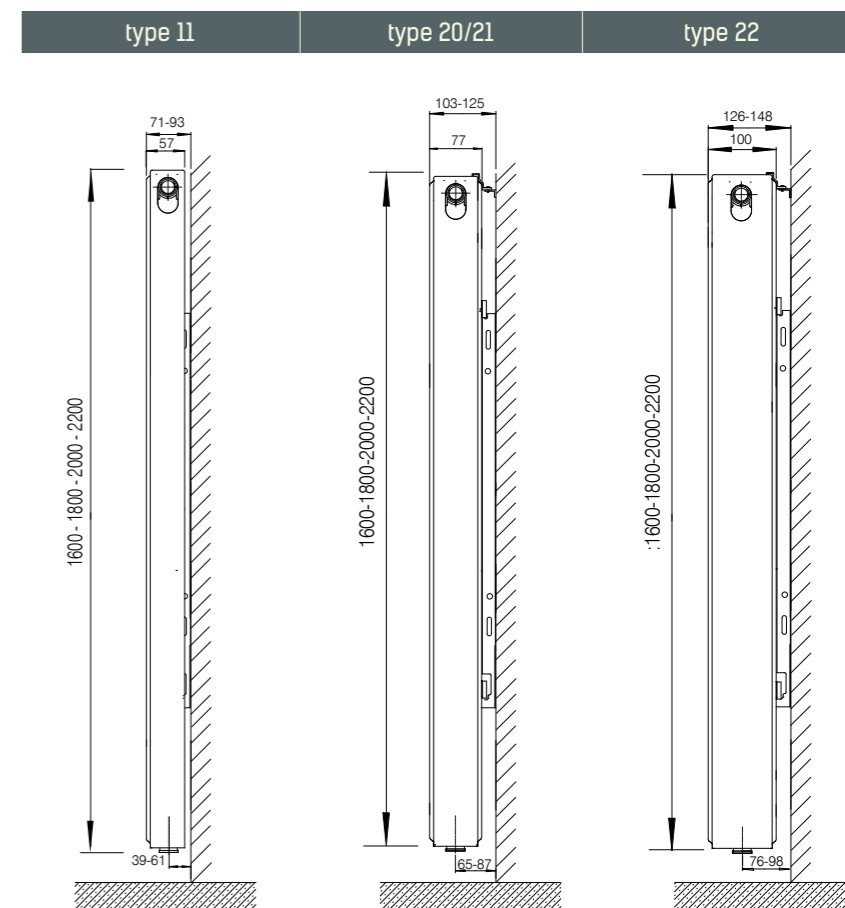
Design Vertical, Style Vertical

Type 11	Type 20	Type 21	Type 22
1,959 W	2,310 W	2,208 W	3,420 W
56,10 kg	77,7 kg	85,80 kg	94,20 kg
7,20 l	14,10 l	14,10 l	14,10 l
9,40 m ²	7,33 m ²	12,66 m ²	28,99 m ²
n = 1,31	n = 1,27	n = 1,31	n = 1,32
2,133 W	2,532 W	3,060 W	3,690 W
63,00 kg	86,70 kg	96,00 kg	105,30 kg
8,10 l	16,20 l	15,90 l	15,90 l
9,86 m ²	8,25 m ²	13,58 m ²	29,90 m ²
n = 1,30	n = 1,27	n = 1,30	n = 1,33
2,298 W	2,748 W	3,270 W	3,960 W
69,60 kg	95,40 kg	106,20 kg	116,40 kg
9,00 l	18,30 l	17,70 l	17,70 l
12,15 m ²	9,17 m ²	16,20 m ²	37,74 m ²
n = 1,30	n = 1,27	n = 1,30	n = 1,33
2,454 W	2,958 W	3,510 W	4,230 W
75,60 kg	105,60 kg	116,40 kg	126,60 kg
9,90 l	20,10 l	20,10 l	20,10 l
12,61 m ²	10,09 m ²	17,11 m ²	36,66 m ²
n = 1,29	n = 1,27	n = 1,30	n = 1,33

Calculation factor per meter at 75/65/20°C according to EN442

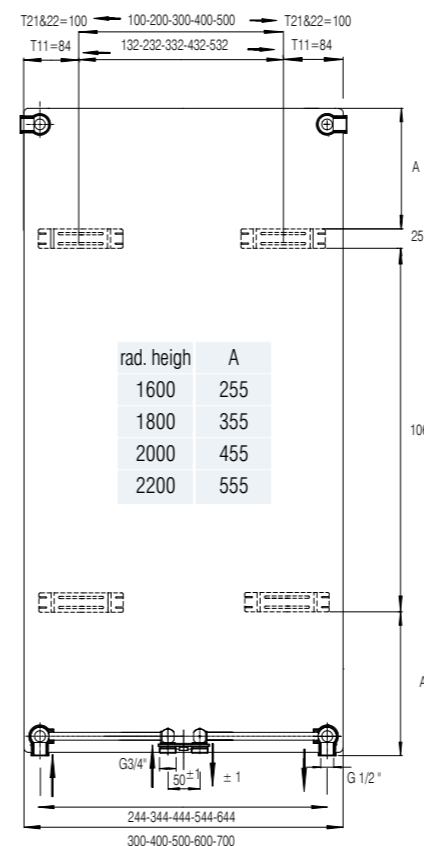
INSTALLATION AND CONNECTION POSSIBILITIES

SIDE VIEW



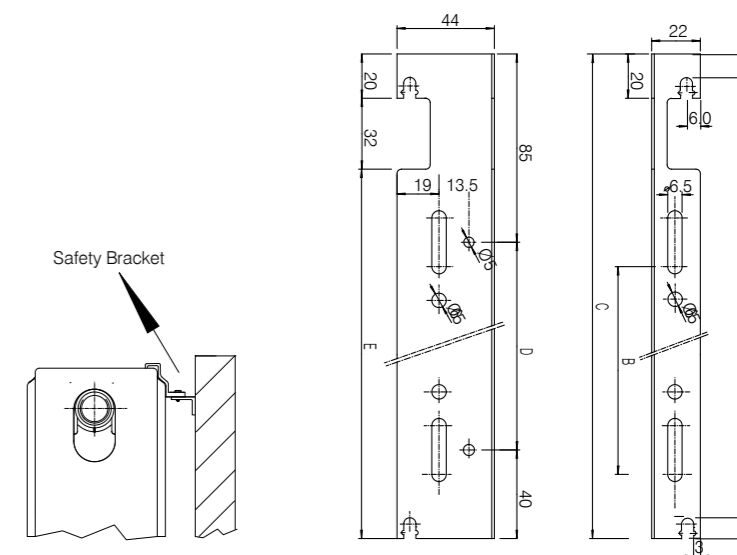
All vertical models are supplied with lugs, L brackets and safety bracket.

LUG POSITIONS AND TAPPING DISTANCES



WALL BRACKETS

TYPE	1200
A	1067
B	962
C	1087
D	962
E	1035



Vertical radiator with flat front: Design Vertical & Style Vertical

combine a sleek and decorative appearance and are perfect for applications where wall space is at a premium. These models can be perfectly combined with Design and Style horizontal models to provide a modern design and consistent look throughout your whole home. All types are provided with side panels and top grill so the radiator forms a compact unity.

